



Fire-Rated Occult Series Fire Extinguisher, Fire Hose, and Fire Department Valve Cabinets with *Flame-Shield*® Option
 Supplemental Submittal and Detail Sheet

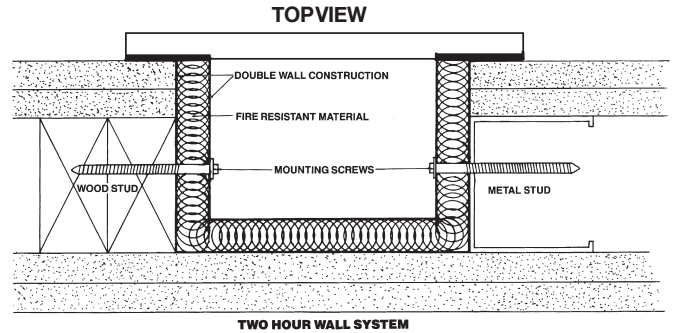
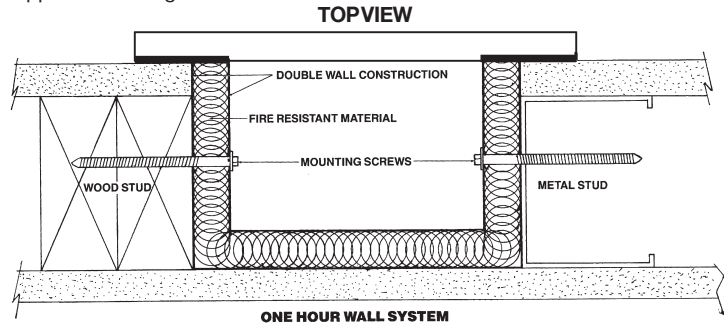
PROJECT: _____ LOCATION: _____
 MODEL NUMBER: **FS** QUANTITY: _____
 ARCHITECT: _____ CONTRACTOR: _____
 DATE: _____ DISTRIBUTOR: _____

SPECIFICATIONS:

The *Flame-Shield* fire rated option is available for Occult Series fire extinguisher, fire department valve, and fire hose cabinets. It is designed specifically to maintain the integrity of one and two hour fire walls. Warnock-Hersey has certified and listed Larsen's *Flame-Shield* fire-rated option for one and two hour combustible and non-combustible wall systems to meet the requirements of UBCStandard 43-B (ASTM E-814).

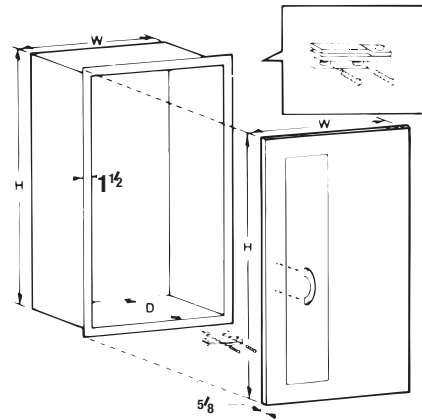
For additional information regarding the Occult Series door and box specification, please refer to the non fire-rated Occult Series description on the reverse side or on the attached sheet.

All boxes for Occult Series with the *Flame-Shield* fire-rated option have a double wall of cold-rolled steel with baked acrylic enamel finish. The space between the double walls is lined entirely with 5/8" thick fire barrier material. All Occult Series cabinets with the *Flame-Shield* fire-rated option are provided with factory supplied anchoring devices.



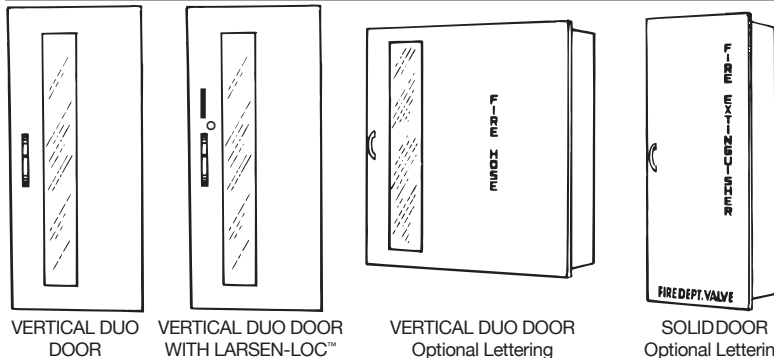
DIMENSIONS*

Model Number	Inside Box Dimensions HxWxD	Outside Flange Dimensions HxW	Outside Door Dimensions HxW	Rough Opening HxWxD	Interior Capacity
FS 0-2409	24x9 ¹ / ₂ x6	27x12 ¹ / ₂	27 ¹ / ₄ x12 ³ / ₄	26x11 ¹ / ₂ x6 ⁷ / ₈	MP2 ¹ / ₂ , MP5, MP5-A, MP6, MP10, DC2 ¹ / ₂ , DC5 DC6, DC10, CD5, HT2 ¹ / ₂ , HT5
FS 0-3216	32x16x8	35x19	35 ¹ / ₄ x19 ¹ / ₄	34x18x8 ⁷ / ₈	PW2 ¹ / ₂ , MP20, DC20, CD10, CD15, WC6-L, HT11, HT15 ¹ / ₂ , WC2 ¹ / ₂ , WM2 ¹ / ₂
FS 0-1818	18x18x8 ¹ / ₂	21x21	21 ¹ / ₄ x21 ¹ / ₄	20x20x9 ¹ / ₂	One Fire Dept. Valve w/cap and chain
FS 0-4016	40x16x8 ¹ / ₂	43x19	43 ¹ / ₄ x19 ¹ / ₄	42x18x9 ¹ / ₂	One Fire Dept. Valve w/cap and chain and a Fire Ext.
FS 0-3232	32x32x8 ¹ / ₂	35x35	35 ¹ / ₄ x35 ¹ / ₄	34x34x9 ¹ / ₂	One hose rack unit with 100' of rack hose and a Fire Ext.



*NOTE: These are rough openings for *Fire-Rated* Occult Series cabinets. Rough openings for *non-rated* cabinets are smaller – please refer to the appropriate non-rated Occult Series Submittal and Detail Sheet. Rough openings must be cut to the exact specifications or the fire rating will be void.

No knock-outs are provided with fire-rated Occult Series hose and valve cabinets. Pipe holes must be drilled by the installer and complete instructions are supplied with each fire-rated hose & valve cabinet.



DOORMATERIAL:

- Steel
- Aluminum (AL)
- Stainless (SS)
- Brass (B)
- Bronze (BZ)
- Other _____

DOORSTYLE:

- Solid
- Vertical Duo

• **Optional Larsen-Loc®**
 (available with either Solid or V-Duo Door)

OPTIONAL DIECUT LETTERING COLOR:

- Red
- Black
- White

OPTIONAL DIECUT LETTERING STYLE:

- Vertical
- Horizontal
- Type A

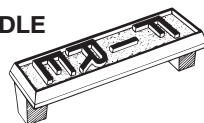
DOOR GLAZING & OPTIONS:

- Clear Acrylic (Standard)
- Clear Tempered Safety Glass
- Laminated Safety Glass
- Bronze Acrylic
- Gray Acrylic
- (Other) _____

LARSEN'S MANUFACTURING COMPANY:
 7421 Commerce Lane N.E. • Minneapolis, MN 55432
 Phone: (763) 571-1181 • FAX: (763) 571-6900
FLORIDA DIVISION:
 1600 NW 18th St. Suite 702-Pompano Beach, FL 33069
 Phone: (954) 486-3325 • FAX: (954) 486-3352
 ©2020 Larsen's Mfg. Co.

o OPTIONAL "FIRE" HANDLE

Optional die cast "Fire" Handle is available at additional cost. Natural finish is standard. Optional finishes are red, black, and white.



- o Standard
- o Red
- o Black
- o White

Warnock Hersey

