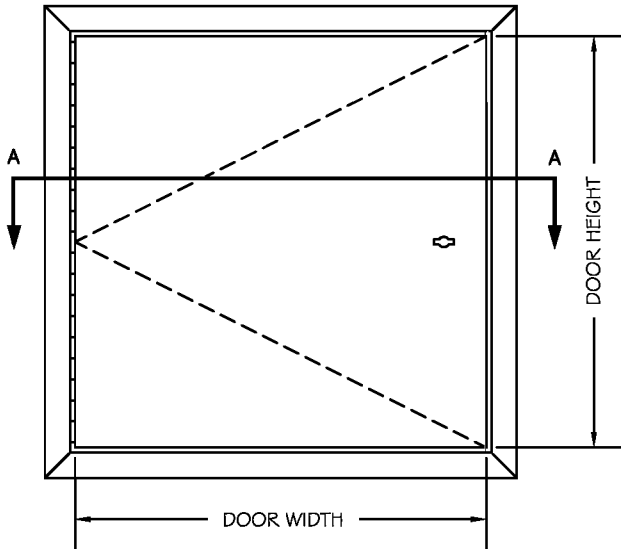


L-FRAPSS SERIES STAINLESS

INSULATED FIRE RATED ACCESS PANELS FOR WALLS AND CEILING - ALL SURFACES



FRONT ELEVATION
NOT TO SCALE

SPECIFICATIONS

- 16 GAUGE 304 SST FRAME, #4 SATIN FINISH
- 20 GAUGE 304 SST DOOR, #4 SATIN FINISH
- 2" THICK FIRE RATED INSULATION
- 1" WIDE EXPOSED FLANGE
- SST FLUSHCONTINUOUS PIANO HINGE WITH SST PIN (AVAILABLE ON SST PANELS ONLY)
- SPRING DOOR CLOSURE
- FRAMES PROVIDED WITH .25" MOUNTING HOLES
- FLUSH KEY / METAL KNURLED KNOB OPERATED LOCK
- INTERIOR RELEASE MECHANISM

OPTIONS

- GALVANIZED BONDERIZED STEEL
- PREPARATION FOR 1.125" MORTISE CYLINDER (CYLINDER PROVIDED BY OTHERS OR BY LARSENS)

LISTINGS

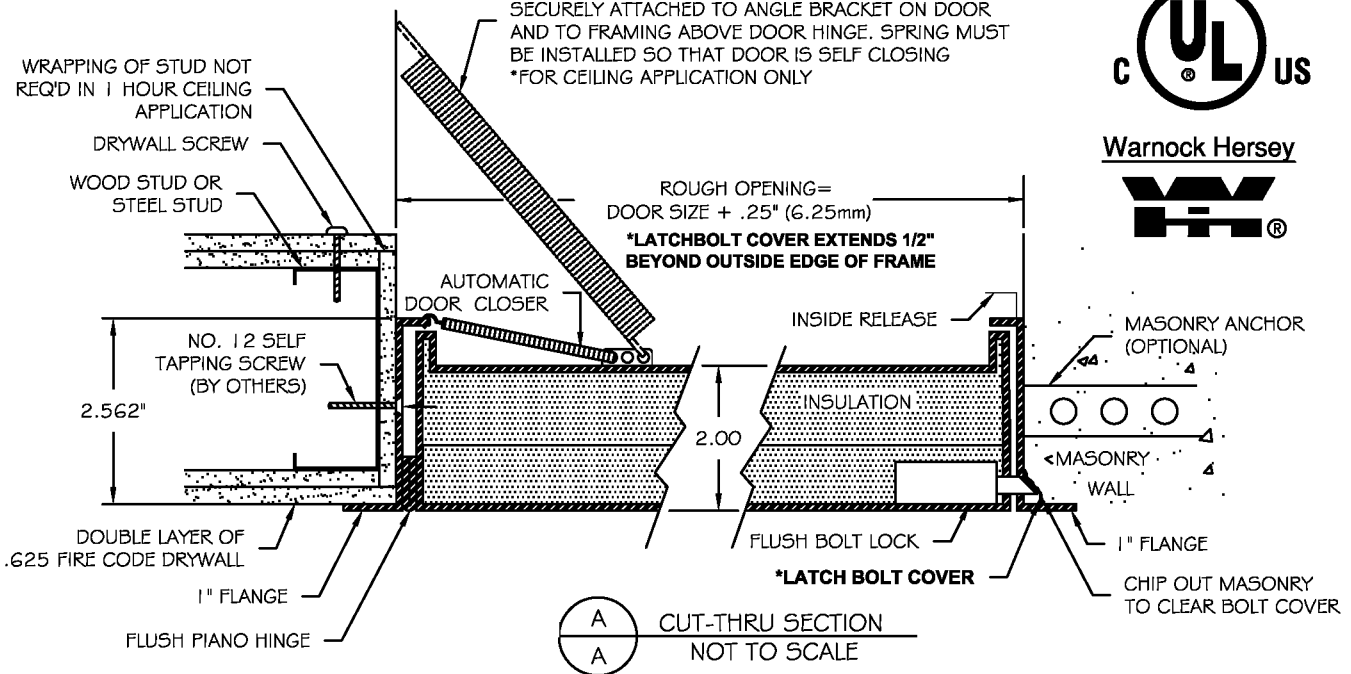
1 1/2 HR. "B" LABEL



Warnock Hersey



ON SIZES 18" X 18" AND LARGER, USE AUXILIARY SPRING PROVIDED WITH DOOR. SPRING MUST BE SECURELY ATTACHED TO ANGLE BRACKET ON DOOR AND TO FRAMING ABOVE DOOR HINGE. SPRING MUST BE INSTALLED SO THAT DOOR IS SELF CLOSING *FOR CEILING APPLICATION ONLY



A
A CUT-THRU SECTION
NOT TO SCALE

LARSEN'S MANUFACTURING CO.

7421 COMMERCE LANE
MINNEAPOLIS, MN 55432
PHONE: 800-527-7367
FAX: 763-571-6900

PROJECT:			
CONTRACTOR:			
DISTRIBUTOR:			
DRAWN BY: GML	DATE: 11-02-2006	QUANTITY:	TITLE: L-FRAPSS.DOC

L-FRAPSS SERIES STAINLESS

ALL PURPOSE FIRE RATED ACCESS PANEL

Standard Features:

Door:	20 gauge (.912 mm thick) #304 stainless steel with #4 satin finish
Frame:	16 gauge (1.52 mm thick) #304 stainless steel with 1" flange and #4 satin finish
Hinge:	Flush stainless steel continuous piano hinge
Latch:	Knurled knob/key operated latch bolt Optional: mortise cylinder preparation (cylinder provided by Larsens or others)
Finish:	#4 satin finish
Insulation:	2" thickness fire rated mineral fiber

Specifications:

Frame shall be 16 gauge #304 stainless steel with a 1" flange. Door shall be 20 gauge #304 stainless steel, insulated sandwich type construction. Door shall be self-latching with automatic closer and interior latch release mechanism. Hinge shall be stainless steel flush continuous piano type. Latch(es) shall be a knurled knob/key operated latch bolt (optional: preparation to receive 1-1/8" mortise cylinder – cylinder provided by Larsens or others). This assembly shall carry a 1-1/2 hour U.L. "B" label for walls (250 degrees maximum temperature rise, 30 minutes) and carry a 3 hour Warnock Hersey label for ceilings rated 3 hours or less. Finish shall be #4 satin finish.

Installation shall be in accordance with manufacturer's instructions. Manufacturer shall guarantee against defects in material and workmanship for a period of one year.

Standard Sizes:

Std sizes (in)	Std Sizes (mm)	Weight/Latches	Std Sizes (in)	Std Sizes (mm)	Weight/Latches
08x08	203x203	11/1	22x30	559x762	32/1
10x10	254x254	14/1	22x36	559x914	39/2
12x12	305x305	17/1	24x24	610x610	29/1
12x18	305x457	25/1	24x30	610x762	36/1
12x24	305x610	28/1	24x36	610x914	40/2
14x14	356x356	16/1	24x48*	610x1219	53/2
16x16	406x406	18/1	30x30*	762x762	49/1
18x18	457x457	20/1	32x32*	813x813	51/1
18x24	457x610	39/1	36x36*	914x914	58/2
20x30	508x762	30/1	36x48*	914x1219	79/2
22x22	559x559	27/1	48x48*	1219x1219	100/2

All units are hinged on the second dimension (height). Rough opening is door size plus ¼".

*Exceeds maximum size to carry a Warnock-Hersey label for ceilings.