

Larsen's®

Gemini Series Fire Extinguisher Cabinets Submittal and Detail Sheet

PROJECT: _____

LOCATION: _____

MODEL NUMBER: _____

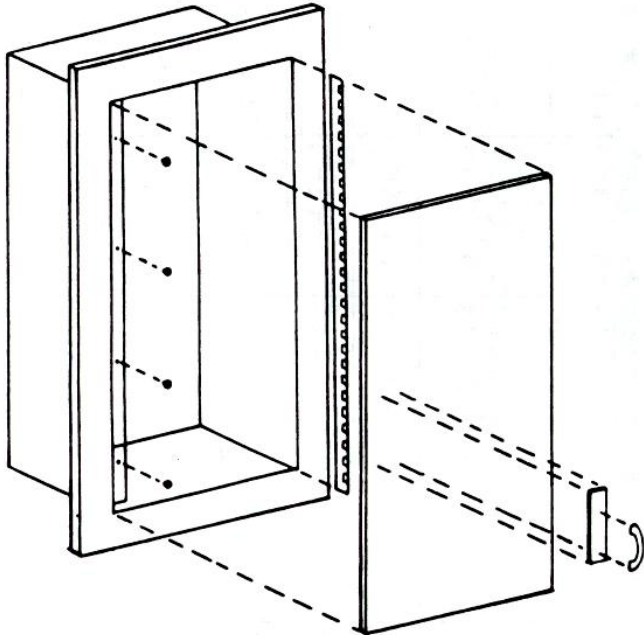
QUANTITY: _____

ARCHITECT: _____

CONTRACTOR: _____

DATE: _____

DISTRIBUTOR: _____



SPECIFICATIONS:

"GEMINI" donates a frameless acrylic door, with color and design options as outlined below. The door is constructed of 1/4" thick smooth or textured acrylic. If lettering is specified, the design is placed on the back side of door to prevent damage. The Larsen-Loc® is available with all door styles. All doors have a satin finish pull handle with a self-adjusting roller catch; and continuous piano hinge constructed of material, which matches the trim.

BOX SPECIFICATION:

All recessed and semi-recessed cabinets and surface-mounted steel cabinets have a heavy gauge, white baked enamel box. Surface-mounted cabinets with aluminum trim have a box constructed entirely of clear or color anodized aluminum. Surface-mounted cabinets with stainless steel door and trim have a box constructed entirely of 304 stainless steel with a #4 finish.

TRIM SPECIFICATION:

Steel trims are one piece, constructed of heavy gauge, cold-rolled steel with a standard finish of white baked enamel, which can be used as either a finish or prime coat. Aluminum trims are constructed of extruded aluminum with satin anodized finish. Clear anodized is standard, and a wide selection of optional color anodized finishes is available. All trim corners are mitered. To specify aluminum trim, use the prefix "AL" before the cabinet model number. Stainless steel trims are one piece, constructed of heavy gauge, #4 finish, 304 stainless steel. To specify stainless steel trim, use the prefix "SS" before the cabinet model number.

TRIM PROJECTION

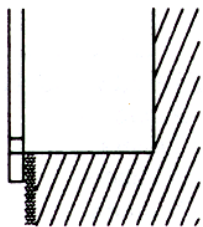
- Flat - 5/16"
- 1 1/4" or 1 1/2" Square
- 2 1/2" Rolled Edge
- 3 1/2" Rolled Edge
- 4" Rolled Edge
- 4 1/2" Rolled Edge
- Trimless†
- Surface Mounted

TRIM MATERIALS

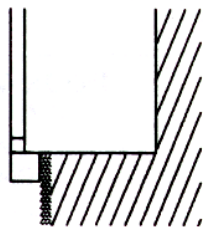
- Steel
- Aluminum (AL)
- Stainless (SS)
- Other (Specify)

RECESSED HANDLE (Required only for 4" return trims when ADA wall projection compliance is necessary.)

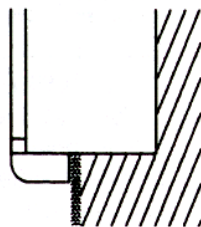
(SEE BACK OF THIS SHEET OR ATTACHED SHEET FOR DIMENSIONS & DOOR STYLES)



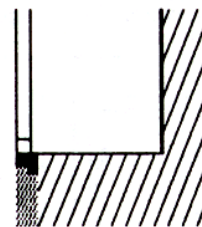
5/16" Flat Trim
Fully Recessed



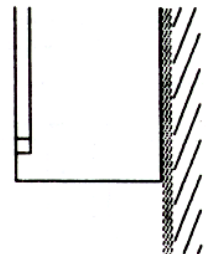
1 1/4" or 1 1/2"
Square Trim
Semi-Recessed



2 1/2", 3 1/2", 4", or 4 1/2"
Rolled Edge
Semi-Recessed



3/4" Plaster Stop
Trimless †



Surface
Mounted

† Trimless cabinets must be installed before the drywall because their plaster stops must be behind the drywall. Trimless cabinets are not recommended for block wall installation.

LARSEN'S MANUFACTURING COMPANY - www.larsensmfg.com

7421 Commerce Lane N.E., Minneapolis, MN 55432 Phone: (763) 571-1181 FAX: (763) 571-6900

FLORIDA DIVISION: 3130 N.W. 17th Street, Ft. Lauderdale, FL 33311 Phone: (954) 486-3325 FAX: (954) 486-3352

©2011 Larsen's Mfg. Co.

