

L-SVB Series



Surface Mounted Valve Boxes

Surface Mounted Valve Boxes provides a fully enclosed access box to valves and controls that may extend outside of the finished wall.

Door are fabricated from 16 gauge, stainless steel with a satin finish.

Box is fabricated from 16 gauge, type 304 stainless steel with exposed surfaces polished to a satin finish. all seams are continuous welded. It is furnished with four 1/4" x 1/2" slots on the back for mounting. All anchoring hardware by others.

Exposed Piano Hinge is continuous.

Latch is screwdriver operated.

Finish is a satin finish.

Guide Specification

Provide Larsen's[®] L-SVB Series, Surface Mounted Valve Box (Specify model number and options). Door and Box shall be fabricated from 16 gauge, type 304 stainless steel with exposed surfaces polished to a No.4 finish. The door is provided with full length piano hinge. Box with all seams are continuous welded. Latch shall be screwdriver operated.



MODEL NUMBER AND OPTIONS SELECTION

BASE MODEL NUMBER

L-SVB Surface Mounted Valve Box

Suffix Options

- AKL Allen Key Latch
- CL Cylinder Lock
- CLD Cylinder Lock with Dust Shutter
- PC Prime Coat

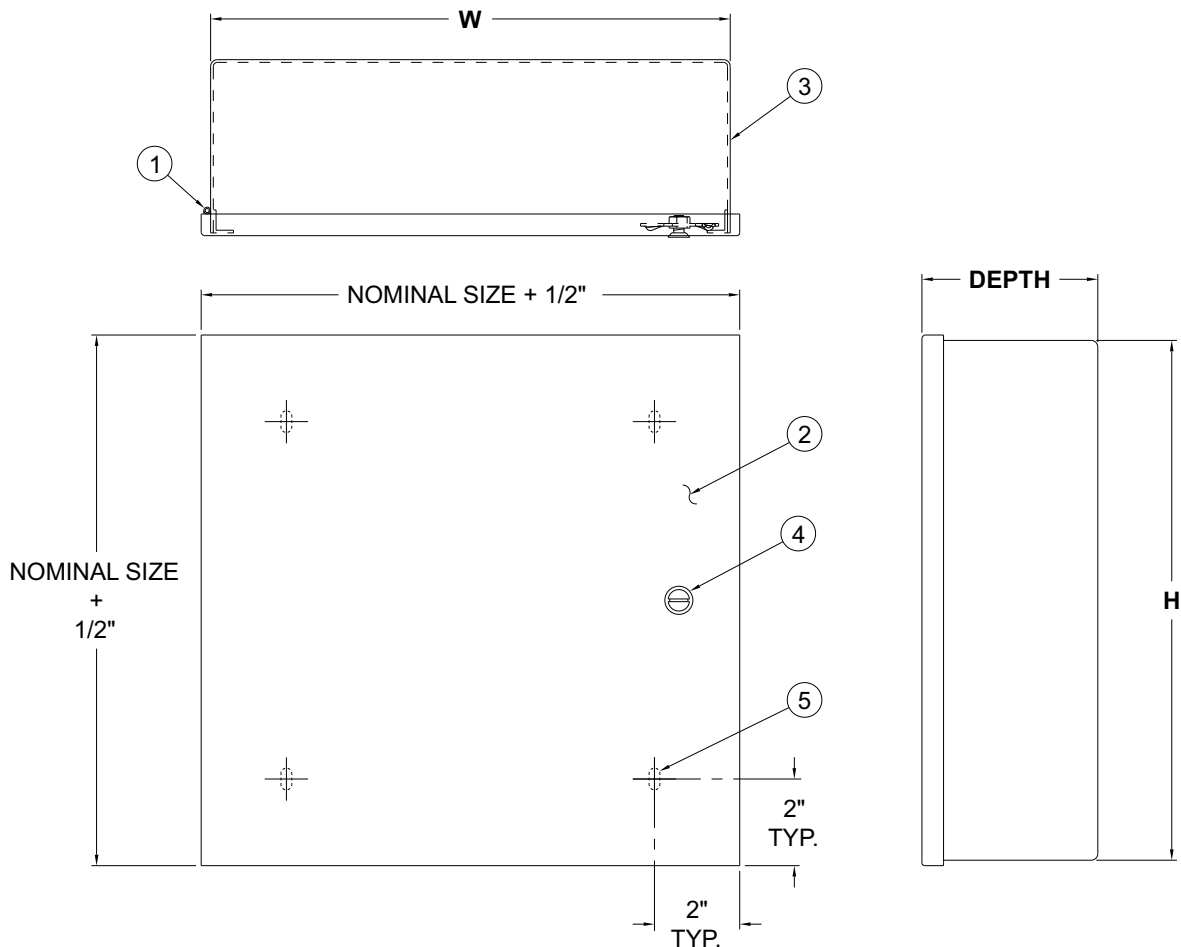
STANDARD AVAILABLE SIZES

Special sizes available upon request.

NOMINAL DOOR SIZE (W x H x Depth)	LATCH	WEIGHT
L-SVB 8" x 8" x 4"	1	10.0 lbs.
L-SVB 8" x 8" x 6"	1	12.0 lbs.
L-SVB 8" x 8" x 8"	1	12.0 lbs.
L-SVB 12" x 12" x 4"	1	18.0 lbs.
L-SVB 12" x 12" x 6"	1	20.0 lbs.
L-SVB 12" x 12" x 8"	1	26.0 lbs.

NOTES:

1. EXPOSED PIANO HINGE
2. DOOR
3. BOX
4. SCREWDRIVER LATCH
5. MOUNTING SLOTS



⚠ WARNING: Cancer and Reproductive Harm - www.P65Warnings.ca.gov

Call Larsen's Manufacturing Co. for current listings and approvals. Dimensions are subject to manufacturer's tolerance and may change without notice. Larsen's assumes no responsibility for use of void or superceded data. © Copyright Larsen's Manufacturing Co.®, Member of Morris Group International® Please visit www.larsensmfg.com for most current specifications.

SELECTION SUMMARY & APPROVAL FOR MANUFACTURING

Model Number & Options _____ Quantity _____
 Company _____ Date _____
 Contact _____ Title _____
 Approval for Manufacturing/Signature _____

L-SVB

Revised: 04/15/2019