

L-SF Series



Surf Access Doors

Doors are designed for surface installation on drywall, masonry or thin-coat plaster. Door features rounded safety corners and is attached to the frame with a continuous piano hinge allowing a 175 degree opening.

Door and Frame are fabricated from 14 gauge, galvanized steel.

Frame is easily secured to the studs and anchored through pre-drilled holes in each corner. No additional reinforcement is required.

Latch is screwdriver operated.

Finish is a white prime coat suitable for painting.

Guide Specification

Provide Larsen's[®] L-SF Series, Surf Access Doors (specify model number and options). Access Door and Frame shall be fabricated from 14 gauge, galvanized steel with a white prime coat finish. Door shall have a continuous piano hinge and rounded safety corners. Latch shall be screwdriver operated.



MODEL NUMBER AND OPTIONS SELECTION

BASE MODEL NUMBER

L-SF Surf Access Door

Suffix Options

-AKL Allen Key Latch
 -SS Stainless Steel Construction
 (Type 304 No. 4 Satin Finish)

STANDARD AVAILABLE SIZES

Special sizes available upon request.

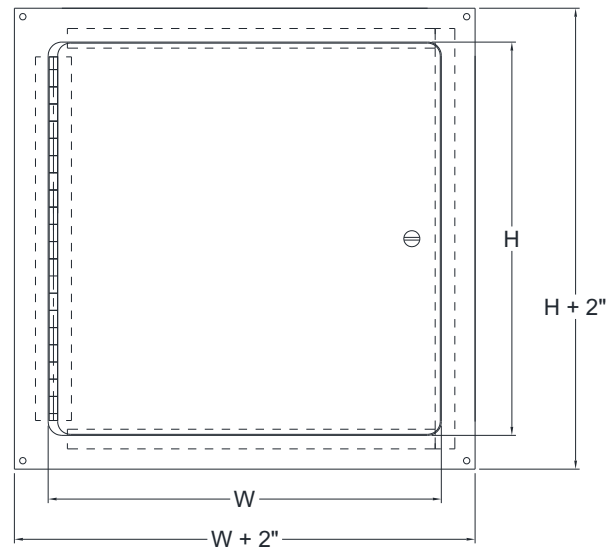
NOMINAL DOOR SIZE	ACTUAL DOOR SIZE (W x H)	LATCHES	WEIGHT
L-SF 8" x 8"	SF 7-5/8" x 7-5/8"	1	2.5 lbs.
L-SF 10" x 10"	SF 9-5/8" x 9-5/8"	1	3.5 lbs.
L-SF 12" x 12"	SF 11-5/8" x 11-5/8"	1	4 lbs.
L-SF 14" x 14"	SF 13-5/8" x 13-5/8"	1	6 lbs.
L-SF 16" x 16"	SF 15-5/8" x 15-5/8"	1	8 lbs.
L-SF 18" x 18"	SF 17-5/8" x 17-5/8"	3	9.5 lbs.
L-SF 22" x 22"	SF 21-5/8" x 21-5/8"	3	13.5 lbs.
LSF 24" x 24"	SF 23-5/8" x 23-5/8"	3	16 lbs.

NOTES:

1. DOOR
2. PIANO HINGE
3. SCREWDRIVER OPERATED LATCH
4. MOUNTING HOLES



SIDE VIEW



FRONT VIEW

⚠ WARNING: Cancer and Reproductive Harm - www.P65Warnings.ca.gov

Call Larsen's Manufacturing Co. for current listings and approvals. Dimensions are subject to manufacturer's tolerance and may change without notice. Larsen's assumes no responsibility for use of void or superceded data. © Copyright Larsen's Manufacturing Co.®, Member of Morris Group International® Please visit www.larsensmfg.com for most current specifications.

SELECTION SUMMARY & APPROVAL FOR MANUFACTURING

Model Number & Options _____ Quantity _____
 Company _____ Date _____
 Contact _____ Title _____
 Approval for Manufacturing/Signature _____

L-SF

Revised: 04/15/2019