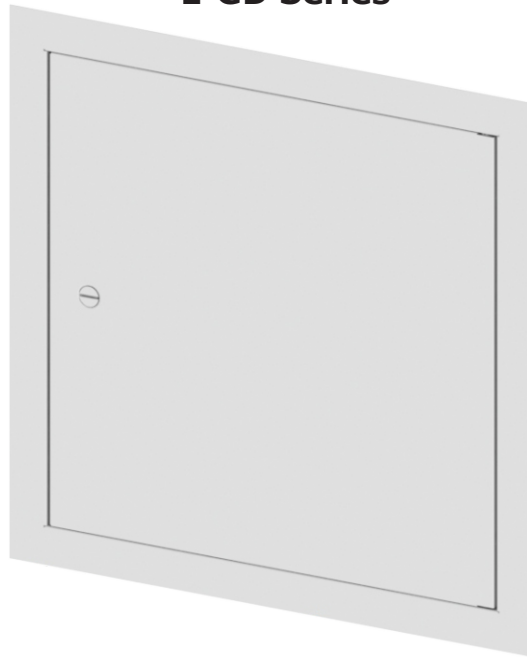


L-GD Series



Gasketed Access Doors

Gasketed Access Doors are ideally suited for new installations or for remodeling, in masonry, tile, wood or other wall and ceiling surfaces. Access door is fully gasketed and is commonly used in clean rooms, laboratories, operating rooms, etc.

Door and Frame are fabricated from 18 gage, galvanized steel with a white prime coat finish. Door and frame are designed to form a tight seal reducing air infiltration by placing gaskets on all three sides of the door stop and gasketing the space between the door and frame.

Gasket material consists of 1/8" x 3/8" oil-resistant, fire-retardant blended Buna-N Foam.

Frame is four piece construction, 1" wide and provides perfect concealment of the rough wall opening. Wall frame is provided with 1/4" mounting holes for fastening within the furred spaces allowing faster installation and fixing maximum clearance.

Concealed Pivoting Rod Hinge prevents distortion and closes door squarely.

Latch is screwdriver operated.

Finish is a white prime coat.

Guide Specification

Provide Larsen's® L-GD Series, Gasketed Access Doors. Access door and frame shall be fabricated from 18 gage, galvanized steel with a white prime coat finish. The door shall have rounded safety corners and a concealed pivoting rod hinge. Frame shall be one piece construction with no mitres or welds on the face. Door and frame shall have a tight seal reducing air infiltration by placing gaskets on all three sides of the door stop and gasketing the space between the door and frame. Latch shall be screwdriver operated.



Member of U.S. Green
Building Council

L-GD

New: 06/20/20



MODEL NUMBER AND OPTIONS SELECTION

BASE MODEL NUMBER

- L-GD Gasketed Access Door
(18 Gage Steel)

Suffix Options

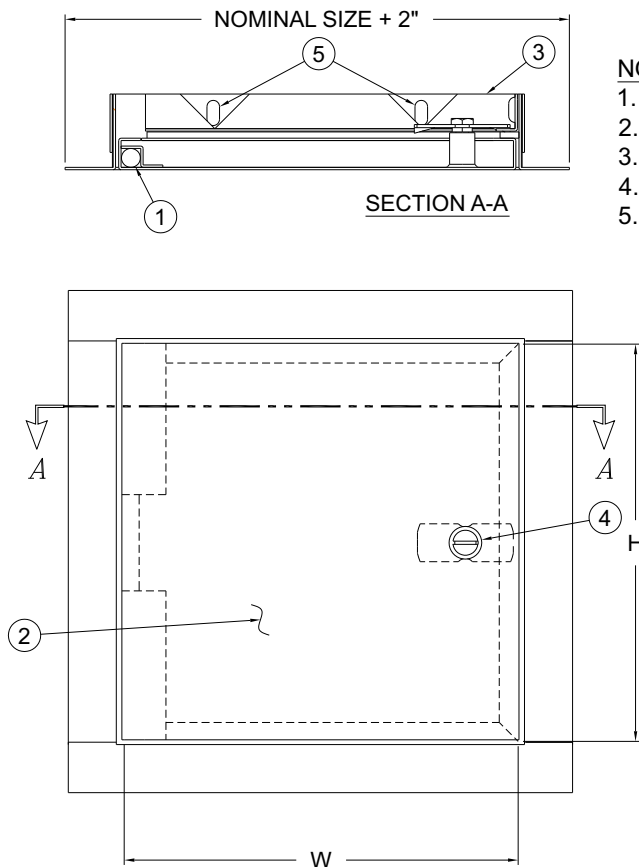
- AKL Allen Key Latch
 - CL Cylinder Lock (one per door)
 - CLD Cylinder Lock with Dust Shutter
(one per door)
 - SS Stainless Steel Construction
(Type 304 No. 4 Satin Finish)

STANDARD AVAILABLE SIZES

Special sizes available upon request.

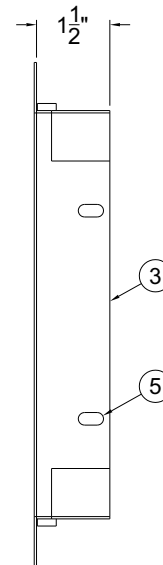
NOMINAL DOOR SIZE (W X H)

INCHES	WALL OPENING	LATCHES	LBS.
L-GD 8" x 8"	8-1/2" x 8-1/2"	1	3.5
L-GD 12" x 12"	12-1/2" x 12-1/2"	1	6
L-GD 16" x 16"	16-1/2" x 16-1/2"	2	9
L-GD 18" x 18"	18-1/2" x 18-1/2"	2	10.5
L-GD 24" x 24"	24-1/2" x 24-1/2"	2	16
L-GD 24" x 36"	24-1/2" x 36-1/2"	2	22



NOTES:

1. CONCEALED PIVOTING ROD HINGE
2. DOOR
3. FRAME
4. SCREWDRIVER OPERATED LATCH
5. MOUNTING HOLES



WARNING: Cancer and Reproductive Harm - www.P65Warnings.ca.gov

Call Larsen's Manufacturing Co. for current listings and approvals. Dimensions are subject to manufacturer's tolerance and may change without notice. Larsen's assumes no responsibility for use of void or superseded data. © Copyright Larsen's Manufacturing Co.®, Member of Morris Group International® Please visit www.larsensmfg.com for most current specifications.

SELECTION SUMMARY & APPROVAL FOR MANUFACTURING

Model Number & Options _____ Quantity _____
 Company _____ Date _____
 Contact _____ Title _____
 Approval for Manufacturing/Signature _____

L-GD

New: 06/20/20