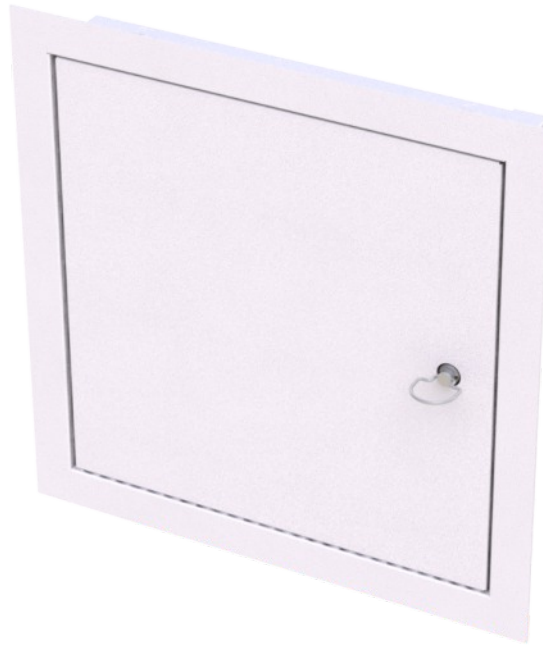


## L-EDI Series



### Exterior Door for Walls and Ceilings

Larsen's<sup>®</sup> Exterior Access Doors are manufactured and engineered to provide access to exterior applications ensuring years of protection against outdoor elements. Our new technology helps to manifest resistance to water and vapor. Our Exterior Door includes foam insulation and neoprene gasket on four sides.

**Door** is fabricated from 16 gauge, galvanized steel with a prime coat finish and 1" thick rigid foam insulation.

**Frame** is fabricated from 16 gauge, galvanized steel with a prime coat finish and provided with bolt holes.

**Hinge** is concealed and operates completely out of sight, so that only the door and frame are visible.

**Exterior latch** features a threaded ring latch or key operation.

**Interior latch Release** is included enabling the door to be opened from the inside.

**Finish** is a prime coat white, suitable for painting.

### Guide Specification

Provide Larsen's<sup>®</sup> L-EDI Series, Exterior Access Doors (specify model number and options). Access door frame shall be fabricated from 16 gauge galvanized steel with a prime coat white finish and provided with bolt holes. Access door panel shall be fabricated from 16 gauge galvanized steel with a prime coat white finish. Door shall be filled with 1" thick, rigid foam insulation and neoprene gasket on four sides. Access door shall have a concealed hinge with exterior lock that features a threaded ring latch or key operation. Internal latch release is included enabling the door to be opened from the inside. Finish shall be prime coat white suitable for painting.

## MODEL NUMBER AND OPTIONS SELECTION

### BASE MODEL NUMBER

- L-EDI Exterior Door for Walls and Ceilings  
 With Internal Release Latch

### Suffix Options

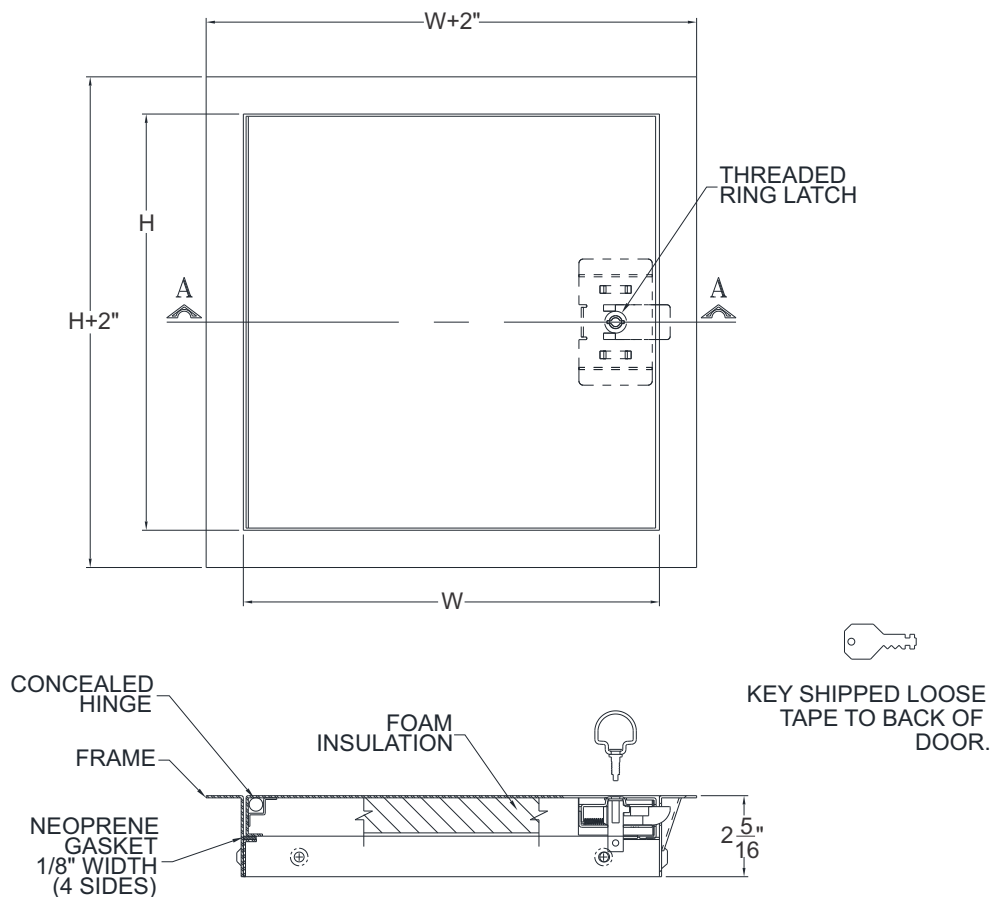
- GB Galvanized Drywall Bead  
 - SS Stainless Steel Construction.  
 (Type 304 No 4 Finish Satin Finish)

## STANDARD AVAILABLE SIZES

Special sizes available upon request.

NOMINAL DOOR SIZE (W x H)	WALL OPENING	LOCK QTY	WEIGHT
L-EDI 8" x 8"	8-3/8" x 8-3/8"	1	5 lbs.
L-EDI 12" x 12"	12-3/8" x 12-3/8"	1	15 lbs.
L-EDI 14" x 14"	14-3/8" x 14-3/8"	1	17 lbs.
L-EDI 18" x 18"	18-3/8" x 18-3/8"	1	20 lbs.
L-EDI 22" x 30"	22-3/8" x 30-3/8"	2	32 lbs.

NOMINAL DOOR SIZE (W x H)	WALL OPENING	LOCK QTY	WEIGHT
L-EDI 24" x 24"	24-3/8" x 24-3/8"	1	28 lbs.
L-EDI 24" x 36"	24-3/8" x 36-3/8"	2	40 lbs.
L-EDI 30" x 30"	30-3/8" x 30-3/8"	2	38 lbs.
L-EDI 36" x 36"	36-3/8" x 36-3/8"	2	50 lbs.
L-EDI 36" x 48"	36-3/8" x 48-3/8"	2	81 lbs.



**⚠ WARNING: Cancer and Reproductive Harm - www.P65Warnings.ca.gov**

Call Larsen's Manufacturing Co. for current listings and approvals. Dimensions are subject to manufacturer's tolerance and may change without notice. Larsen's assumes no responsibility for use of void or superceded data. © Copyright Larsen's Manufacturing Co.®, Member of Morris Group International® Please visit [www.larsensmfg.com](http://www.larsensmfg.com) for most current specifications.

Model Number & Options _____	Quantity _____
Company _____	Date _____
Contact _____	Title _____
Approval for Manufacturing/Signature _____	

**L-EDI**

Revised: 10/04/23