

## L-ED Series



### Exterior Door for Walls and Ceilings

Larsen's® Exterior Access Doors are manufactured and engineered to provide access to exterior applications ensuring years of protection against outdoor elements. Our new technology helps to manifest resistance to water and vapor. Our Exterior Door includes foam insulation and neoprene gasket on four sides.

**Door** is fabricated from 16 gauge, galvanized steel with a white prime coat finish and 1" thick rigid foam insulation.

**Frame** is fabricated from 16 gauge, galvanized steel with a white prime coat finish and provided with bolt holes.

**Hinge** is concealed and operates completely out of sight, so that only the door and frame are visible.

**Exterior latch** is a cylinder lock that features a knurled knob or key operation.

**Finish** is a white prime coat suitable for painting.

### Guide Specification

Provide Larsen's® L-ED Series, Exterior Access Doors (specify model number and options). Access door frame shall be fabricated from 16 gauge galvanized steel with a white prime coat finish and provided with bolt holes. Access door panel shall be fabricated from 16 gauge galvanized steel with a white prime coat finish. Door shall be filled with 1" thick, rigid foam insulation and neoprene gasket on four sides. Access door shall have a concealed hinge with exterior latching cylinder lock that features a knurled knob or key operation. Finish shall be a white prime coat suitable for painting.



## MODEL NUMBER AND OPTIONS SELECTION

### BASE MODEL NUMBER

L-ED Exterior Door for Walls and Ceilings

### Suffix Options

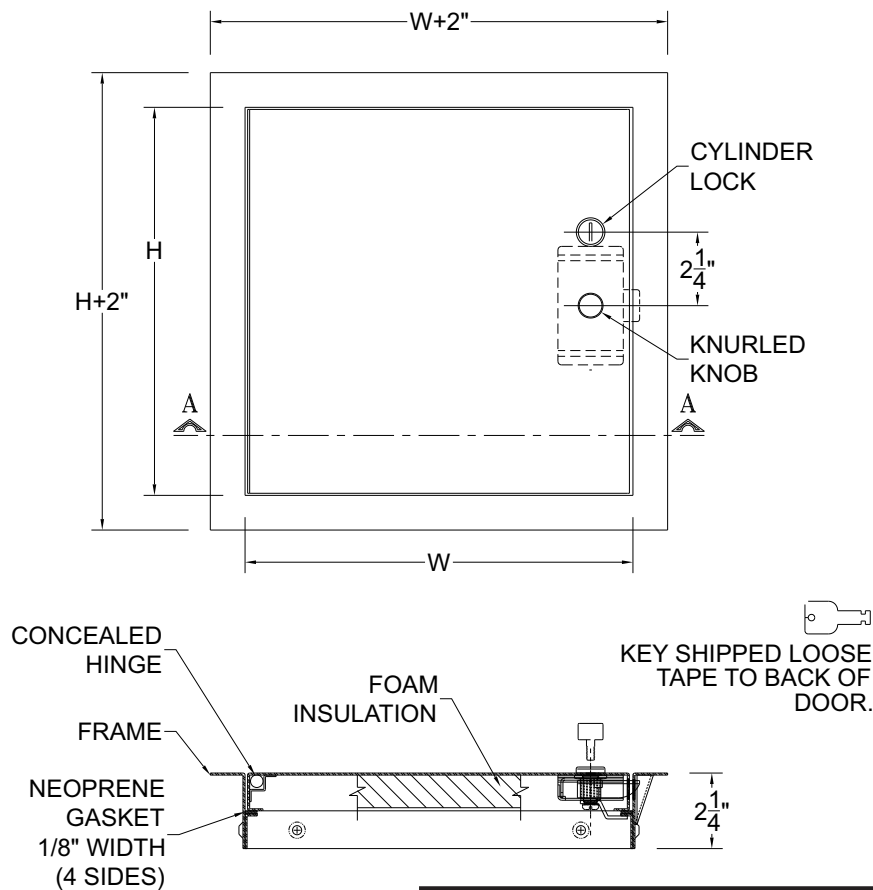
- GB Galvanized Drywall Bead
- SS Stainless Steel Construction (Type 304 No. 4 Satin Finish)

## STANDARD AVAILABLE SIZES

Special sizes available upon request.

NOMINAL DOOR SIZE (W x H)	WALL OPENING	LOCK QTY	WEIGHT
L-ED 8" x 8"	8-3/8" x 8-3/8"	1	5 lbs.
L-ED 12" x 12"	12-3/8" x 12-3/8"	1	15 lbs.
L-ED 14" x 14"	14-3/8" x 14-3/8"	1	17 lbs.
L-ED 18" x 18"	18-3/8" x 18-3/8"	1	20 lbs.
L-ED 22" x 30"	22-3/8" x 30-3/8"	2	32 lbs.

NOMINAL DOOR SIZE (W x H)	WALL OPENING	LOCK QTY	WEIGHT
L-ED 24" x 24"	24-3/8" x 24-3/8"	1	28 lbs.
L-ED 24" x 36"	24-3/8" x 36-3/8"	2	40 lbs.
L-ED 30" x 30"	30-3/8" x 30-3/8"	2	38 lbs.
L-ED 36" x 36"	36-3/8" x 36-3/8"	2	50 lbs.
L-ED 36" x 48"	36-3/8" x 48-3/8"	2	81 lbs.



**⚠ WARNING: Cancer and Reproductive Harm - www.P65Warnings.ca.gov**

Call Larsen's Manufacturing Co. for current listings and approvals. Dimensions are subject to manufacturer's tolerance and may change without notice. Larsen's assumes no responsibility for use of void or superseded data. © Copyright Larsen's Manufacturing Co.®, Member of Morris Group International® Please visit [www.larsensmfg.com](http://www.larsensmfg.com) for most current specifications.

### SELECTION SUMMARY & APPROVAL FOR MANUFACTURING

Model Number & Options \_\_\_\_\_ Quantity \_\_\_\_\_  
 Company \_\_\_\_\_ Date \_\_\_\_\_  
 Contact \_\_\_\_\_ Title \_\_\_\_\_  
 Approval for Manufacturing/Signature \_\_\_\_\_

**L-ED**

Revised: 04/04/2019