

L-AP Series



Acoustical Plaster Access Doors

Doors are designed to install flush with the plaster surface assuring an attractive finish. Doors are recessed 5/8" and lined with a metal lath to allow plaster of surrounding surfaces to fill in the face of the door.

Door and Frame are fabricated from 16 gauge, galvanized steel with a white prime coat finish.

Frame has a 3" wide metal lath on all four sides to key into the plaster.

Concealed Hinge is recessed and operates completely out of sight so that only the metal thickness of the door and frame is visible.

Latch is screwdriver operated.

Finish is a white prime coat suitable for painting.

Guide Specification

Provide Larsen's[®] L-AP Series, Acoustical Plaster Access Doors (specify model number and options). Access door and frame shall be fabricated from 16 gauge, galvanized steel with a white prime coat finish. The door shall be recessed 5/8" and be lined with metal lath. The frame shall have a 3" wide metal lath on all four sides. Hinge shall be concealed type. Latch shall be screwdriver operated. Finish shall be a white prime coat suitable for painting.



MODEL NUMBER AND OPTIONS SELECTION

BASE MODEL NUMBER

L-AP Acoustical Plaster Access Door

Suffix Options

- AKL Allen Key Latch
 -CL Cylinder Lock (one per door)
 -CLD Cylinder Lock with Dust Shutter (one per door)
 -SS Stainless Steel Construction (Type 304 No. 4 Satin Finish)

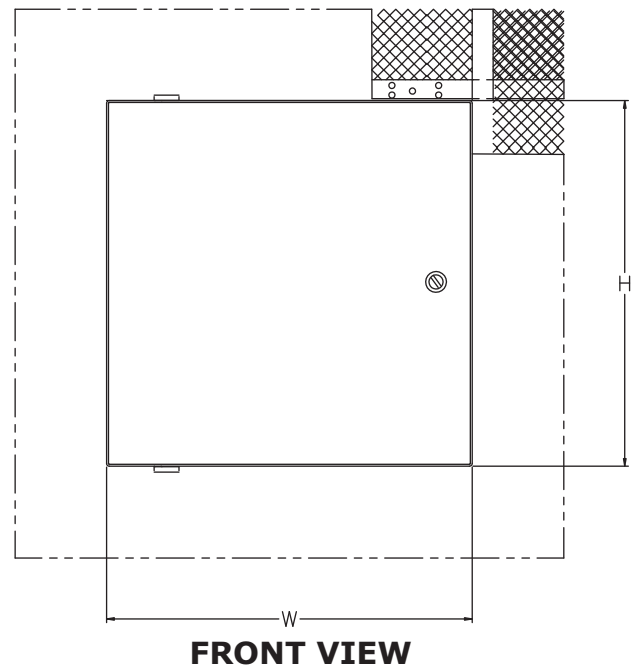
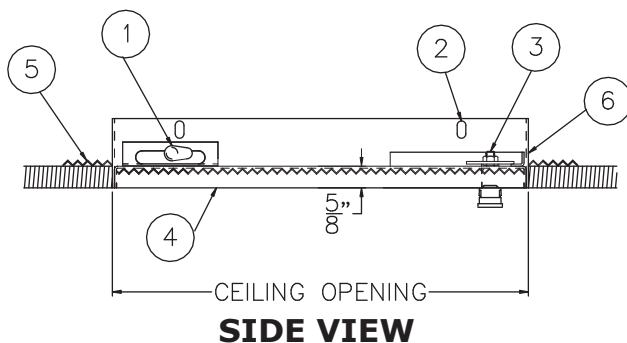
STANDARD AVAILABLE SIZES

Special sizes available upon request.

NOMINAL DOOR SIZE (W X H)	CEILING OPENING (minimum required)	LATCHES	WEIGHT
L-AP 12" x 12"	12-1/4" x 12-1/4"	1	7 lbs.
L-AP 12" x 24"	12-1/4" x 24-1/4"	2	13.5 lbs.
L-AP 18" x 18"	18-1/4" x 18-1/4"	2	14 lbs.
L-AP 24" x 24"	24-1/4" x 24-1/4"	4	20.5 lbs.
L-AP 24" x 36"	24-1/4" x 36-1/4"	5	24.5 lbs.

NOTES:

1. CONCEALED HINGE
2. MOUNTING HOLES
3. SCREWDRIVER OPERATED LATCH
4. DOOR
5. METAL LATH
6. FRAME



⚠ WARNING: Cancer and Reproductive Harm - www.P65Warnings.ca.gov

Call Larsen's Manufacturing Co. for current listings and approvals. Dimensions are subject to manufacturer's tolerance and may change without notice. Larsen's assumes no responsibility for use of void or superseded data. © Copyright Larsen's Manufacturing Co.®, Member of Morris Group International® Please visit www.larsensmfg.com for most current specifications.

SELECTION SUMMARY & APPROVAL FOR MANUFACTURING

Model Number & Options _____ Quantity _____
 Company _____ Date _____
 Contact _____ Title _____
 Approval for Manufacturing/Signature _____

L-AP

Revised: 04/03/2019