

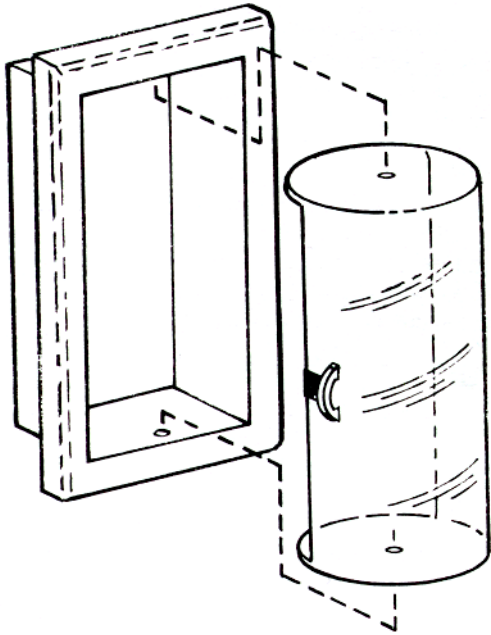


# Larsen's® Rota Series Fire Extinguisher Cabinets

## Submittal and Detail Sheet

PROJECT: \_\_\_\_\_  
 MODEL NUMBER: \_\_\_\_\_  
 ARCHITECT: \_\_\_\_\_  
 DATE: \_\_\_\_\_

LOCATION: \_\_\_\_\_  
 QUANTITY: \_\_\_\_\_  
 CONTRACTOR: \_\_\_\_\_  
 DISTRIBUTOR: \_\_\_\_\_



**SPECIFICATIONS:**

"ROTA" denotes a frameless, revolving, turntable door, with color and design options as outlined below. The door consists of an acrylic turntable which pivots on two bearings. This unique door design provides 180 degree visibility of the fire extinguisher .

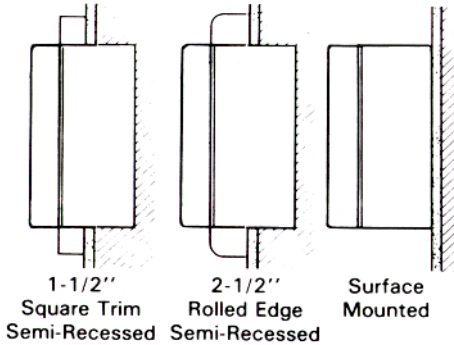
**BOX SPECIFICATION:**

All semi-recessed cabinets and surface-mounted steel cabinets have a white baked enamel box. Surface-mounted cabinets with aluminum trim have a box constructed entirely of clear or color anodized aluminum. Surface-mounted cabinets with stainless steel trim have a box constructed entirely of 304 stainless steel with a #4 finish.

**TRIM SPECIFICATION:**

The standard trim material is steel, and optional materials include both aluminum and stainless steel. Steel trims are one piece, constructed of cold-rolled steel with a standard finish of white baked enamel, which can be used as either a finish or prime coat. Aluminum trims are constructed of extruded aluminum with satin anodized finish. Clear anodized is standard, and a wide selection of optional color anodized finishes is available. To specify aluminum trim, use the prefix "AL" before the cabinet model number. Stainless steel trims are one piece, constructed of #4 finish, 304 stainless steel. To specify stainless steel trim, use the prefix "SS" before the cabinet model number. All units come equipped with a satin finish pull handle and magnetic catch. The standard ROTA door is clear acrylic. Red or bronze acrylic are available as options, if specified.

SIDE VIEW



**TRIM**

- MATERIAL:**
- Steel
  - Aluminum (AL)
  - Stainless (SS)
  - Other (specify) \_\_\_\_\_

**DOOR COLORS:**

- Clear (Standard)
- Red
- Bronze
- Other (specify) \_\_\_\_\_

**TRIM PROJECTION:**

- Semi-Recessed 1 1/2"
- Semi-Recessed 2 1/2"
- Surface-Mounted

**DIMENSIONS**

Model Number	Trim Style And Projection	Inside Box Dimensions H x W x D	Outside Trim Dimensions H x W*	Rough Opening H x W x D	Recommended Extinguisher Capacity
R-2409 R-2409-SM	Semi-Rec. 1 1/2" Surface Mtd.	24x9 1/2 x 5 1/2 27 1/2 x 13 x 5 1/2	27 1/2 x 13 27 1/2 x 13	25 x 10 1/2 x 4 --	MP2 1/2, MP5, MP5-A, MP6, MP10, DC2 1/2, DC5, DC6, DC10, HT2 1/2, HT5
R-3012 R-3012-SM	Semi-Rec. 2 1/2" Surface Mtd.	30 x 12 x 6 1/2 33 1/2 x 15 1/2 x 6 1/2	33 1/2 x 15 1/2 33 1/2 x 15 1/2	31 x 13 x 4 --	PW2 1/2, MP20 DC20, WC-6L, HT11, HT15 1/2

\*Deduct 3/4" from HxW dimensions for cabinets with aluminum trim

Rough openings are larger for fire-rated cabinets. Please refer to Fire-rated Extinguisher Cabinet Submittal and Detail Sheet.

**LARSEN'S MANUFACTURING COMPANY - www.larsensmfg.com**

7421 Commerce Lane N.E., Mpls, MN 55432 Phone: (763) 571-1181 FAX: (763) 571-6900

FLORIDA DIVISION: 3130 N.W. 17<sup>th</sup> Street, Ft. Lauderdale, FL 33311 Phone: (954) 486-3325 FAX: (954) 486-3352

©2006 Larsen's Mfg. Co.