



Larsen's® Fire Hose Cabinets

Submittal and Detail Sheet

PROJECT: _____ LOCATION: _____
 MODEL NUMBER: _____ QUANTITY: _____
 ARCHITECT: _____ CONTRACTOR: _____
 DATE: _____ DISTRIBUTOR: _____

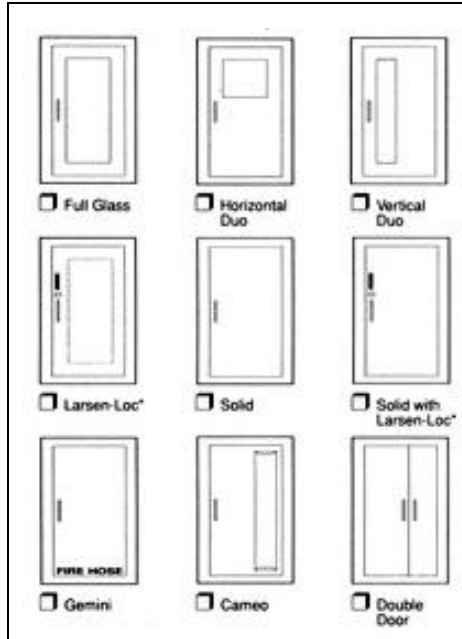
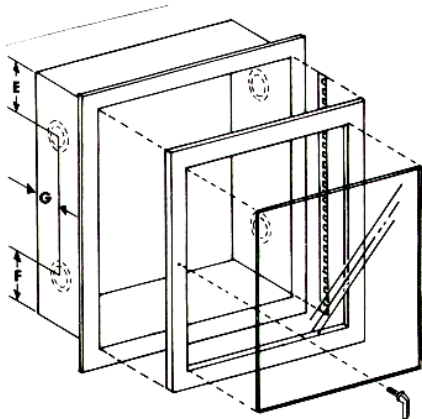
SPECIFICATIONS:

All recessed and semi-recessed cabinets and surface-mounted steel cabinets have a heavy gauge, white baked enamel box. Surface-mounted cabinets with aluminum door and trim have a box constructed entirely of clear or color anodized aluminum. Surface-mounted cabinets with stainless steel door and trim have a box constructed entirely of 304 stainless steel with a #4 finish.

Steel and stainless steel cabinets have a full 1/2" thick hollow metal heavy gauge door. Trims and doors feature one piece construction with satin finish turn handle, continuous matching hinge, and self-adjusting roller catch. Baked white enamel finish is standard for steel units. Stainless steel cabinets have a #4 finish, 304 stainless steel.

Aluminum cabinet doors and trims are extruded or fabricated aluminum with clear satin anodized finish. Aluminum door is 1/2" thick with satin finish matching pull handle and hinge. Color anodized finishes are available as options.

STEP 1: Select cabinet model number from the dimensions on the back of this sheet (or on attached sheet) and indicate on the top of this sheet. To specify aluminum trim and door, use the prefix, "AL" before the model number. To specify stainless steel trim and door, use the prefix, "SS" before the model number. **Note: Rough opening dimensions are larger for fire-rated cabinets. Please refer to separate Fire-Rated Cabinet Submittal and Detail Sheet.**



STEP 2: Select Door Style and Door Glazing (if applicable) below:

DOOR GLAZING:

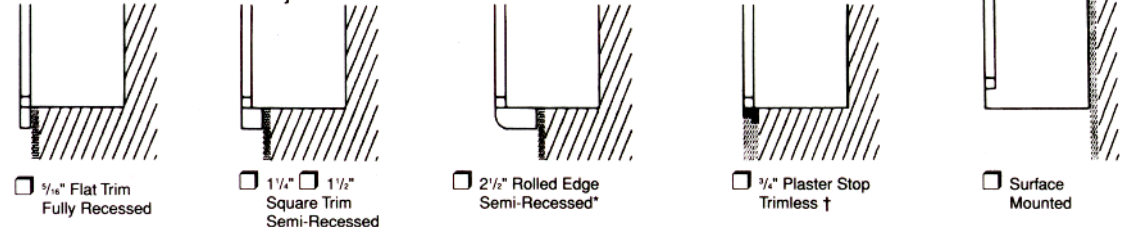
- Clear Acrylic (Standard)
- Clear Tempered Safety Glass
- Clear Wire Glass
- Laminated Safety Glass
- Bronze Acrylic
- Gray Acrylic
- (Other) _____

* Note: Solid Door with Larsen-Loc® can be specified as Institutional Door (access only with key) by deleting the pull handle and decal.

STEP 3: Indicate Trim and Door Material:

- Steel
- Aluminum (AL)
- Stainless (SS)
- Other (specify) _____

STEP 4: Indicate Trim Projection Below:



† Trimless cabinets must be installed before the drywall because their plaster stops must be behind the drywall. Trimless cabinets are not recommended for block wall installation.

LARSEN'S MANUFACTURING COMPANY - www.larsensmfg.com

7421 Commerce Lane N.E., Mpls, MN 55432 Phone: (763) 571-1181 FAX: (763) 571-6900

FLORIDA DIVISION: 3130 N.W. 17th Street, Ft. Lauderdale, FL 33311 Phone: (954) 486-3325 FAX: (954) 486-3352

©2011 Larsen's Mfg. Co.

CABINET DIMENSIONS - FIRE HOSE CABINETS

Model Number	Trim Style and Projection	Inside Box Dimensions* HxWxD	Outside Trim Dimensions HxW***	Rough Opening HxWxD	Knockout Locations*** E F G	Interior Capacity
HC 2438-R	Rec. 5/16	38 x 24 x 8	41½ x 27½	39 x 25 x 8¼	4" 4" 4"	One hose rack unit with 75 ft. of rack hose and a 2½" Fire Dept. Valve
HC 2438-RK	Semi-Rec. 1¼	38 x 24 x 8	41½ x 27½	39 x 25 x 7¼	4" 4" 4"	
HC 2438-RL	Semi-Rec. 2½	38 x 24 x 8	41½ x 27½	39 x 25 x 6	4" 4" 4"	
HC 2438-RT	Trimless	38 x 24 x 8	--	--x --x 8½†	4" 4" 4"	
HC 2438-SM	Surface Mtd.	41½ x 27½ x 8½	41½ x 27½	--	--	
HC 2638-R	Rec. 5/16	38 x 26 x 8	41½ x 29½	39 x 27 x 8¼	4" 4" 4"	One hose rack unit with 100 ft. of rack hose and a 2½" Fire Dept. Valve
HC 2638-RK	Semi-Rec. 1¼	38 x 26 x 8	41½ x 29½	39 x 27 x 7¼	4" 4" 4"	
HC 2638-RL	Semi-Rec. 2½	38 x 26 x 8	41½ x 29½	39 x 27 x 6	4" 4" 4"	
HC 2638-RT	Trimless	38 x 26 x 8	--	--x --x 8½†	4" 4" 4"	
HC 2638-SM	Surface Mtd.	41½ x 29½ x 8½	41½ x 29½	--	--	
HC 2642-R	Rec. 5/16	42 x 26 x 8	45½ x 29½	43 x 27 x 8¼	4" 4" 4"	One hose rack unit with 125 ft. of rack hose and a 2½" Fire Dept. Valve
HC 2642-RK	Semi-Rec. 1¼	42 x 26 x 8	45½ x 29½	43 x 27 x 7¼	4" 4" 4"	
HC 2642-RL	Semi-Rec. 2½	42 x 26 x 8	45½ x 29½	43 x 27 x 6	4" 4" 4"	
HC 2642-RT	Trimless	42 x 26 x 8	--	--x --x 8½†	4" 4" 4"	
HC 2642-SM	Surface Mtd.	45½ x 29½ x 8½	45½ x 29½	--	--	
HC 3030-R	Rec. 5/16	30 x 30 x 8	33½ x 33½	31 x 31 x 8¼	4" 4" 4"	One hose rack unit with 100 ft. of rack hose and a fire Extinguisher
HC 3030-RK	Semi-Rec. 1¼	30 x 30 x 8	33½ x 33½	31 x 31 x 7¼	4" 4" 4"	
HC 3030-RL	Semi-Rec. 2½	30 x 30 x 8	33½ x 33½	31 x 31 x 6	4" 4" 4"	
HC 3030-RT	Trimless	30 x 30 x 8	--	--x --x 8½†	4" 4" 4"	
HC 3030-SM	Surface Mtd.	33½ x 33½ x 8½	33½ x 33½	--	--	
HC 3232-R	Rec. 5/16	32 x 32 x 8	35½ x 35½	33 x 33 x 8¼	4" 4" 4"	One hose rack unit with 100 ft. of rack hose and a fire Extinguisher
HC 3232-RK	Semi-Rec. 1¼	32 x 32 x 8	35½ x 35½	33 x 33 x 7¼	4" 4" 4"	
HC 3232-RL	Semi-Rec. 2½	32 x 32 x 8	35½ x 35½	33 x 33 x 6	4" 4" 4"	
HC 3232-RT	Trimless	32 x 32 x 8	--	--x --x 8½†	4" 4" 4"	
HC 3232-SM	Surface Mtd.	35½ x 35½ x 8½	35½ x 35½	--	--	
HC 3234-R	Rec. 5/16	34 x 32 x 8	37½ x 35½	35 x 33 x 8¼	4" 4" 4"	One hose rack unit with 100 ft. of rack hose and a fire Extinguisher
HC 3234-RK	Semi-Rec. 1¼	34 x 32 x 8	37½ x 35½	35 x 33 x 7¼	4" 4" 4"	
HC 3234-RL	Semi-Rec. 2½	34 x 32 x 8	37½ x 35½	35 x 33 x 6	4" 4" 4"	
HC 3234-RT	Trimless	34 x 32 x 8	--	--x --x 8½†	4" 4" 4"	
HC 3234-SM	Surface Mtd.	37½ x 35½ x 8½	37½ x 35½	--	--	
HC 2434-R	Rec. 5/16	34 x 24 x 8	37½ x 27½	35 x 25 x 8¼	4" 4" 4"	One hose rack unit with 75 ft. of rack hose
HC 2434-RK	Semi-Rec. 1¼	34 x 24 x 8	37½ x 27½	35 x 25 x 7¼	4" 4" 4"	
HC 2434-RL	Semi-Rec. 2½	34 x 24 x 8	37½ x 27½	35 x 25 x 6	4" 4" 4"	
HC 2434-RT	Trimless	34 x 24 x 8	--	--x --x 8½†	4" 4" 4"	
HC 2434-SM	Surface Mtd.	37½ x 27½ x 8½	37½ x 27½	--	--	
HC 2634-R	Rec. 5/16	34 x 26 x 8	37½ x 29½	35 x 27 x 8¼	4" 4" 4"	One hose rack unit with 100 ft. of rack hose
HC 2634-RK	Semi-Rec. 1¼	34 x 26 x 8	37½ x 29½	35 x 27 x 7¼	4" 4" 4"	
HC 2634-RL	Semi-Rec. 2½	34 x 26 x 8	37½ x 29½	35 x 27 x 6	4" 4" 4"	
HC 2634-RT	Trimless	34 x 26 x 8	--	--x --x 8½†	4" 4" 4"	
HC 2634-SM	Surface Mtd.	37½ x 29½ x 8½	37½ x 29½	--	--	
HC 3238-R	Rec. 5/16	38 x 32 x 8	41½ x 35½	39 x 33 x 8¼	4" 4" 4"	One hose rack unit with 100 ft. of rack hose a fire ext. and a Fire Dept. Valve
HC 3238-RK	Semi-Rec. 1¼	38 x 32 x 8	41½ x 35½	39 x 33 x 7¼	4" 4" 4"	
HC 3238-RL	Semi-Rec. 2½	38 x 32 x 8	41½ x 35½	39 x 33 x 6	4" 4" 4"	
HC 3238-RT	Trimless	38 x 32 x 8	--	--x --x 8½†	4" 4" 4"	
HC 3238-SM	Surface Mtd.	41½ x 35½ x 8½	41½ x 35½	--	--	
HC 3242-R	Rec. 5/16	42 x 32 x 8	45½ x 35½	43 x 33 x 8¼	4" 4" 4"	One hose rack unit with 125 ft. of rack hose a fire ext. and a Fire Dept. Valve
HC 3242-RK	Semi-Rec. 1¼	42 x 32 x 8	45½ x 35½	43 x 33 x 7¼	4" 4" 4"	
HC 3242-RL	Semi-Rec. 2½	42 x 32 x 8	45½ x 35½	43 x 33 x 6	4" 4" 4"	
HC 3242-RT	Trimless	42 x 32 x 8	--	--x --x 8½†	4" 4" 4"	
HC 3242-SM	Surface Mtd.	45½ x 35½ x 8½	45½ x 35½	--	--	
HC 1823-R	Rec. 5/16	23 x 18 x 8	26½ x 21½	24 x 19 x 8¼	4" 4" 4"	1½" or 2½" valve with 100 ft. of rack hose
HC 1823-RK	Semi-Rec. 1¼	23 x 18 x 8	26½ x 21½	24 x 19 x 7¼	4" 4" 4"	
HC 1823-RL	Semi-Rec. 2½	23 x 18 x 8	26½ x 21½	24 x 19 x 6	4" 4" 4"	
HC 1823-RT	Trimless	23 x 18 x 8	--	--x --x 8½†	4" 4" 4"	
HC 1823-SM	Surface Mtd.	26½ x 21½ x 8½	26½ x 21½	--	--	
HC 2831-R	Rec. 5/16	31 x 28 x 8	34½ x 31½	32 x 29 x 8¼	4" 4" 4"	1½" or 2½" valve with 100 ft. of rack hose and a fire Extinguisher
HC 2831-RK	Semi-Rec. 1¼	31 x 28 x 8	34½ x 31½	32 x 29 x 7¼	4" 4" 4"	
HC 2831-RL	Semi-Rec. 2½	31 x 28 x 8	34½ x 31½	32 x 29 x 6	4" 4" 4"	
HC 2831-RT	Trimless	31 x 28 x 8	--	--x --x 8½†	4" 4" 4"	
HC 2831-SM	Surface Mtd.	34½ x 31½ x 8½	34½ x 31½	--	--	

ROUGH OPENINGS ARE LARGER FOR FIRE-RATED CABINETS. PLEASE REFER TO FIRE-RATED CABINET SUBMITTAL AND DETAIL SHEET.

* All Hose cabinets are available with 6" deep box, at no charge, if specified.

** No knockouts are provided for surface-mounted cabinets unless specified. See knockout drawing on reverse side.

† Trimless cabinets must be installed before the drywall - plaster stop must be behind the drywall. Trimless are not recommended for block wall installation.

*** Deduct ¼" from HxW Dimensions for Cabinets with Aluminum Door & Trim.

LARSEN'S MANUFACTURING COMPANY 7421 Commerce Lane N.E., Mpls, MN 55432

www.larsensmfg.com

Phone: (763) 571-1181 FAX: (763) 571-6900

FLORIDA DIVISION: 3130 N.W. 17th Street, Ft. Lauderdale, FL 33311 Phone: (954) 486-3325 FAX: (954) 486-3352