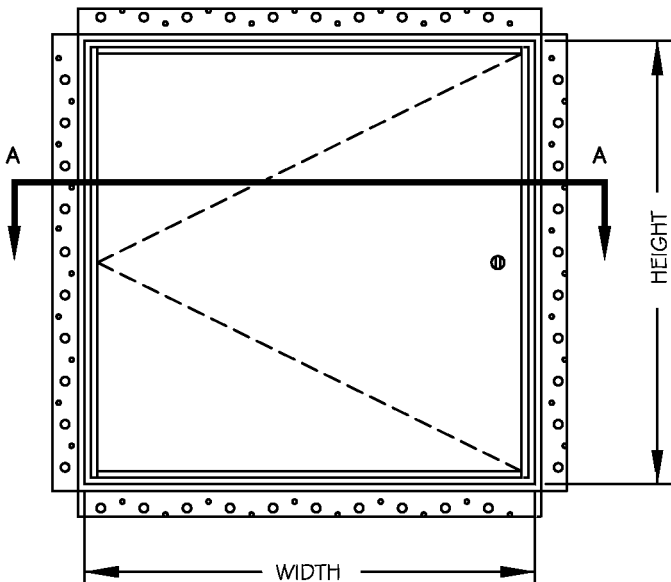


# L-DWR SERIES

## RECESSED ACCESS PANEL FOR WALLBOARD SURFACES



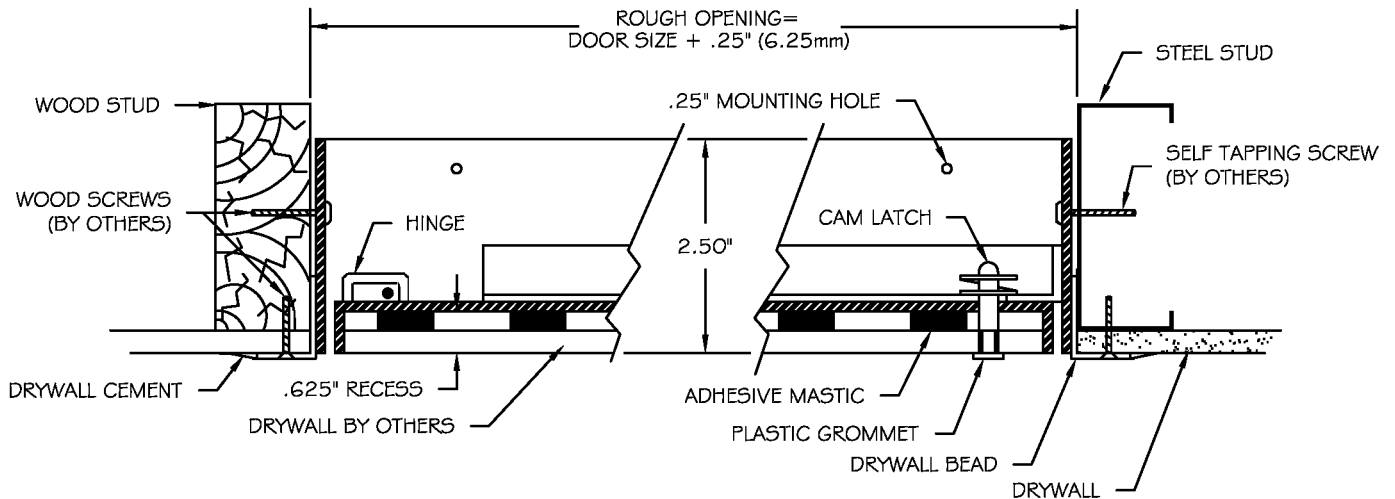
**FRONT ELEVATION**  
NOT TO SCALE

### SPECIFICATIONS

- 16 GAUGE (1.520mm) COLD ROLLED STEEL FRAME
- 16 GAUGE (1.520mm) COLD ROLLED STEEL DOOR
- 22 GAUGE (.0336mm) GALVANIZED STEEL DRYWALL BEAD
- BAKED ON POWDER COAT FINISH
- CONCEALED PIVOT ROD HINGE
- FLUSH SCREWDRIVER OPERATED CAM LATCH WITH PLASTIC GROMMET
- FRAMES ARE PROVIDED WITH .25" MOUNTING HOLES

### OPTIONS

- KEY OPERATED CAM LOCK, ONE PER PANEL
- PREPARATION FOR 1.125" MORTISE LOCK (LOCK PROVIDED BY OTHERS OR BY LARSENS)
- GALVANIZED BONDERIZED STEEL



**CUT-THRU SECTION**  
NOT TO SCALE

### LARSEN'S MANUFACTURING CO.

7421 COMMERCE LANE  
MINNEAPOLIS, MN 55432  
PHONE: 800-527-7367  
FAX: 763-571-6900

PROJECT:			
CONTRACTOR:			
DISTRIBUTOR:			
DRAWN BY: GML	DATE: 11-03-2006	QUANTITY:	TITLE: L-DWR.DOC

# L-DWR SERIES

## RECESSED ACCESS PANEL FOR DRYWALL APPLICATIONS

### Standard Features:

<b>Door:</b>	16 gauge (1.52 mm thick) cold rolled steel
<b>Frame:</b>	16 gauge (1.52 mm thick) cold rolled steel with 22 gauge galvanized drywall corner bead
<b>Hinge:</b>	Concealed pivoting rod hinge
<b>Latch:</b>	Screwdriver cam latch(es) Optional: key operated cam lock or special mortise cylinder preparation to accept 2" cylinder (cylinder provided by Larsens or others)
<b>Finish:</b>	Baked on powder coat finish
<b>Pan:</b>	5/8" pan for in-fill of material

### Specifications:

Frame shall be 16 gauge cold rolled steel with 22 gauge galvanized drywall corner bead. Door shall be fabricated from 16 gauge cold rolled steel, recessed 5/8" for in-fill of material. Hinge shall be a concealed pivoting rod type. Latch(es) shall be a screwdriver operated cam type (optional: key operated cam lock or prepared to receive special 2" mortise cylinder – cylinder provided by Larsens or others). Finish shall be baked on powder coat.

Installation shall be in accordance with manufacturer's instructions. Manufacturer shall guarantee against defects in material and workmanship for a period of one year.

### Standard Sizes:

Std sizes (in)	Std Sizes (mm)	Weight/Latches
08x08	152x152	7/1
12x12	254x254	8/1
12x24	305x610	11/2
16x16	406x406	11/1
18x18	457x457	13/2
22x30	559x762	25/2
24x24	610x610	22/2
24x36	610x914	32/3

All units are hinged on the second dimension (height). Rough opening is door size plus ¼".