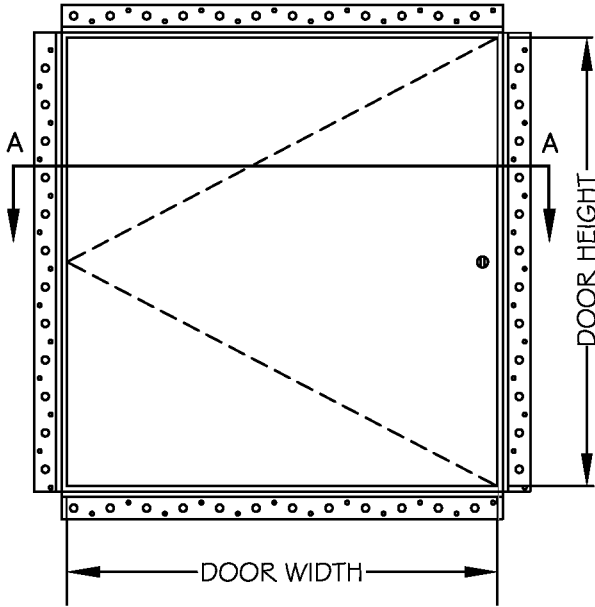


L-DWC SERIES

NON-RATED FLUSH ACCESS PANEL FOR WALLBOARD SURFACES



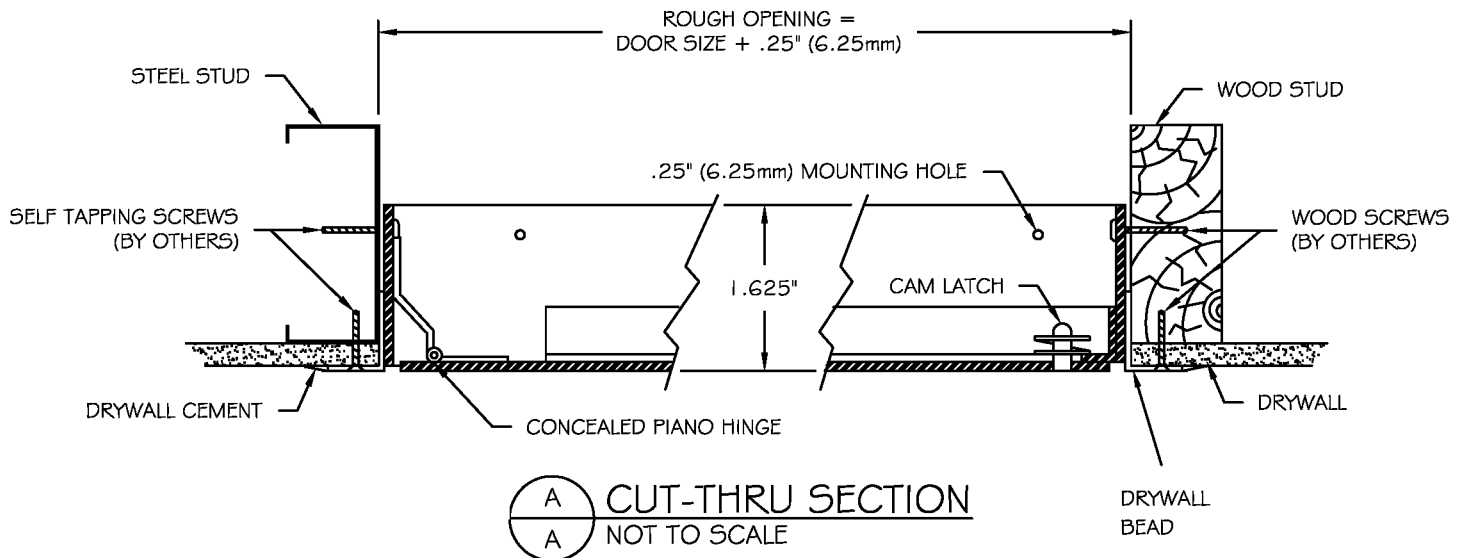
FRONT ELEVATION
NOT TO SCALE

SPECIFICATIONS

- 16 GAUGE (1.520mm) COLD ROLLED STEEL FRAME
- 14 GAUGE (1.900mm) COLD ROLLED STEEL DOOR
- BAKED ON POWDER COAT FINISH
- 22 GAUGE GALVANIZED STEEL DRYWALL BEAD
- CONCEALED PIANO HINGE
- FRAMES ARE PROVIDED WITH .25" MOUNTING HOLES
- FLUSH SCREWDRIVER OPERATED CAM LATCH (ADDT'L CAMS PROVIDED ON PANELS 18" X 18" AND LARGER)

OPTIONS

- KEY OPERATED CAM LOCK
- PINNED ALLEN HEAD SECURITY CAM LATCHES
- PREPARATION FOR 1.125" MORTISE CYLINDER (CYLINDER PROVIDED BY OTHERS OR BY LARSENS)
- FLUSH CONTINUOUS HINGE (STANDARD ON PANELS GREATER THAN 24" X 36" & STAINLESS STEEL PANELS)
- SPRING PIN HINGE (CONCEALED)
- STAINLESS STEEL (TYPE 304) WITH A #4 SATIN FINISH
- GALVANIZED BONDERIZED STEEL
- METAL KNURLED KNOB CAM LATCHES



LARSEN'S MANUFACTURING CO.

7421 COMMERCE LANE
MINNEAPOLIS, MN 55432
PHONE: 800-527-7367
FAX: 763-571-6900

PROJECT:			
CONTRACTOR:			
DISTRIBUTOR:			
DRAWN BY: GML	DATE: 11-03-2006	QUANTITY:	TITLE: L-DWC.DOC

L-DWC SERIES

NON-RATED ACCESS PANEL WITH DRYWALL CORNER BEAD

Standard Features:

Door:	14 gauge (1.90 mm thick) cold rolled steel
Frame:	16 gauge (1.52 mm thick) cold rolled steel with 22 gauge galvanized drywall corner bead
Hinge:	Concealed continuous piano hinge
Latch:	Screwdriver operated cam latch(es) Optional: key operated cam lock, pinned allen head security cam latch(es), mortise cylinder preparation (cylinder provided by Larsens or others)
Finish:	Baked on powder coat finish Optional: galvanized bonderized or stainless steel with #4 polish

Specifications:

Frame shall be 16 gauge cold rolled steel and door shall be 14 gauge. Trim shall be 22 gauge galvanized drywall corner bead. Hinge shall be concealed continuous piano hinge. Latch(es) shall be a screwdriver operated cam type (optional: key operated cam lock, pinned allen head security cam latch, or preparation to receive 1-1/8" mortise cylinder – cylinder provided by Larsens or others). Finish shall be baked on powder coat (optional: galvanized bonderized steel or stainless steel with #4 satin polish finish).

Installation shall be in accordance with manufacturer's instructions. Manufacturer shall guarantee against defects in material and workmanship for a period of one year.

Standard Sizes:

Std sizes (in)	Std Sizes (mm)	Weight/Latches	Std Sizes (in)	Std Sizes (mm)	Weight/Latches
06x06	152x152	3/1	20x30	508x762	19/5
08x08	203x203	4/1	22x22	559x559	19/4
10x10	254x254	5/1	22x30	559x762	22/5
12x12	305x305	7/1	24x24	610x610	20/4
12x18	305x457	10/1	24x30	610x762	24/5
12x24	305x610	12/1	24x36	610x914	28/5
14x14	356x356	8/1	24x48	610x1219	33/6
16x16	406x406	11/1	30x30	762x762	26/5
16x20	406x508	12/2	32x32	813x813	29/5
18x18	457x457	12/2	36x36	914x914	36/5
18x24	457x610	18/3	36x48	914x1219	52/7

All units are hinged on the second dimension (height). Rough opening is door size plus ¼".