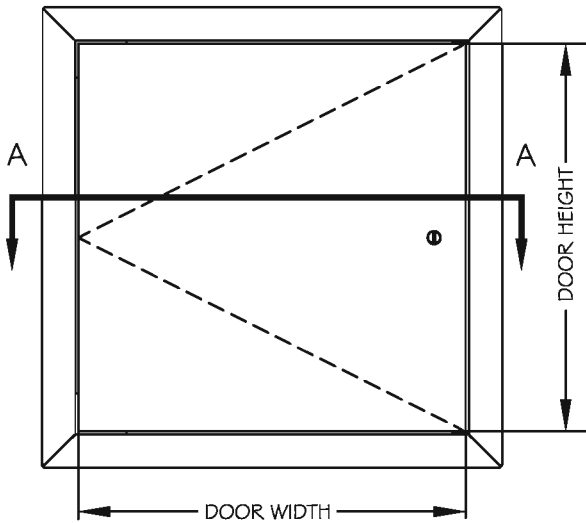


# L-DPM SERIES

## MEDIUM SECURITY NON-RATED ACCESS PANEL FOR WALLS AND CEILINGS - ALL SURFACES



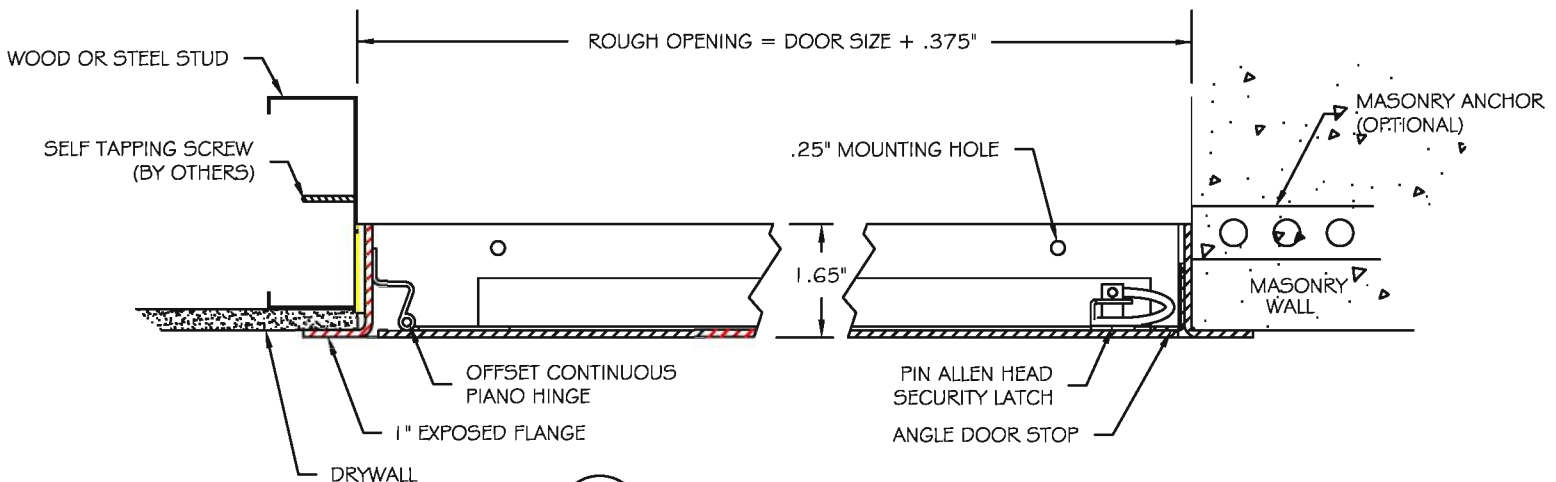
FRONT ELEVATION  
NOT TO SCALE

### SPECIFICATIONS

- 12 GAUGE (2.667mm) COLD ROLLED STEEL FRAME
- 12 GAUGE (2.667mm) COLD ROLLED STEEL DOOR
- BAKED ON POWDER COAT FINISH
- CONCEALED CONTINUOUS PIANO HINGE
- PINNED ALLEN HEAD SECURITY CAM LATCH
- FRAMES ARE PROVIDED WITH .25" MOUNTING HOLES

### OPTIONS

- MASONRY ANCHORS ATTACHED
- GALVANIZED BONDERIZED STEEL
- STAINLESS STEEL WITH A #4 SATIN FINISH
- PREPARATION FOR 1.125" MORTISE LOCK (LOCK PROVIDED BY OTHERS OR BY LARSENS)
- PREPARATION FOR HEAVY DUTY DETENTION DEADBOLT LOCK (LOCK PROVIDED BY OTHERS OR BY LARSENS)



CUT-THRU SECTION  
NOT TO SCALE

### LARSEN'S MANUFACTURING CO.

7421 COMMERCE LANE  
MINNEAPOLIS, MN 55432  
PHONE: 800-527-7367  
FAX: 763-571-6900

|              |            |           |           |
|--------------|------------|-----------|-----------|
| PROJECT:     |            |           |           |
| CONTRACTOR:  |            |           |           |
| DISTRIBUTOR: |            |           |           |
| DRAWN BY:    | DATE:      | QUANTITY: | TITLE:    |
| GML          | 11-03-2006 |           | L-DPM.DOC |

# L-DPM SERIES

## ALL PURPOSE MEDIUM SECURITY NON-RATED ACCESS PANEL

### Standard Features:

|                |  |
|----------------|--|
| <b>Door:</b>   | 12 gauge (2.67 mm thick) cold rolled steel   |
| <b>Frame:</b>  | 12 gauge (2.67 mm thick) cold rolled steel with 1" flange  |
| <b>Hinge:</b>  | Concealed continuous piano hinge   |
| <b>Latch:</b>  | Pinned allen head security cam latch(es)<br>Optional: mortise cylinder preparation (cylinder provided by Larsens or others) or heavy duty detention lock preparation (deadbolt lock provided by Larsens or others) |
| <b>Finish:</b> | Baked on powder coat finish  |

### Specifications:

Frame and door shall be 12 gauge cold rolled steel. Flange shall be 1" wide. Hinge shall be concealed continuous type. Latch(es) shall be pinned allen head security cam type (optional: preparation to receive 1-1/8" mortise cylinder – cylinder provided by Larsens or others; or heavy duty detention lock preparation – deadbolt lock provided by Larsens or others). Finish shall be baked on powder coat.

Installation shall be in accordance with manufacturer's instructions. Manufacturer shall guarantee against defects in material and workmanship for a period of one year.

### Standard Sizes:

| Std sizes (in) | Std Sizes (mm) | Weight/Latches | Std Sizes (in) | Std Sizes (mm) | Weight/Latches |
|----------------|----------------|----------------|----------------|----------------|----------------|
| 06x06          | 152x152        | 18/1           | 20x30          | 508x762        | 56/3           |
| 08x08          | 203x203        | 20/1           | 22x22          | 559x559        | 49/2           |
| 10x10          | 254x254        | 23/1           | 22x30          | 559x762        | 58/3           |
| 12x12          | 305x305        | 24/1           | 24x24          | 610x610        | 52/4           |
| 12x18          | 305x457        | 30/1           | 24x30          | 610x762        | 60/5           |
| 12x24          | 305x610        | 35/2           | 24x36          | 610x914        | 68/5           |
| 14x14          | 356x356        | 26/1           | 24x48          | 610x1219       | 94/5           |
| 16x16          | 406x406        | 32/1           | 30x30          | 762x762        | 70/5           |
| 16x20          | 406x508        | 36/2           | 32x32          | 813x813        | 76/5           |
| 18x18          | 457x457        | 36/2           | 36x36          | 914x914        | 95/6           |
| 18x24          | 457x610        | 48/2           | 36x48          | 914x1219       | 123/7          |

All units are hinged on the second dimension (height). Rough opening is door size plus 1/4".