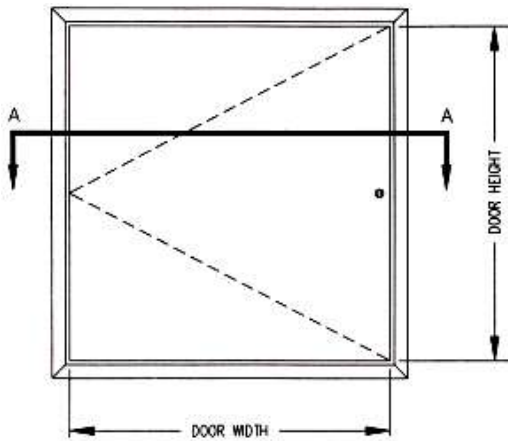


# L-MPSS SERIES STAINLESS

NON-RATED FLUSH ACCESS PANEL FOR ALL SURFACES



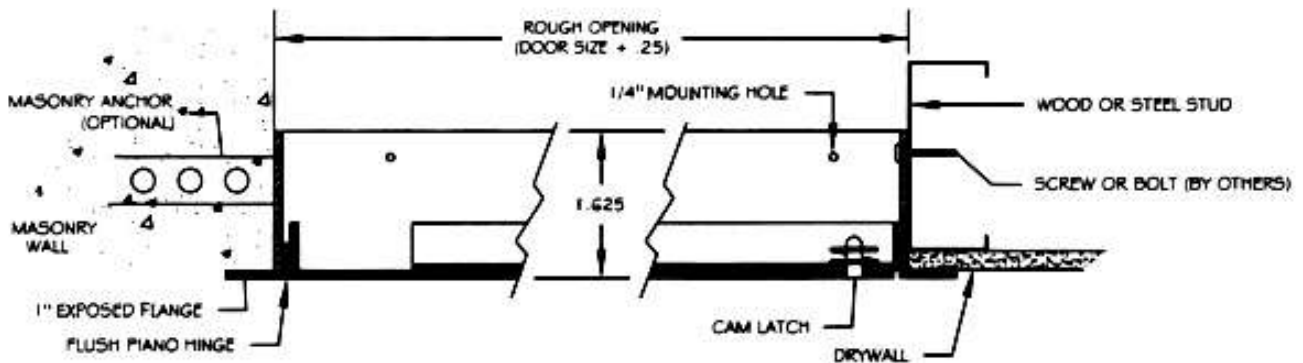
FRONT ELEVATION  
NOT TO SCALE

## SPECIFICATIONS

- 16 GAUGE 304 SST FRAME, #4 SATIN FINISH
- 14 GAUGE 304 SST DOOR, #4 SATIN FINISH
- FLUSH CONTINUOUS HINGE
- FRAMES ARE PROVIDED WITH 1/4" MOUNTING HOLES
- FLUSH SCREWDRIVER OPERATED SST CAM LATCH

## OPTIONS

- q KEY OPERATED CYLINDER LOCK
- q ALLEN HEAD SECURITY CAM LATCHES
- q MORTISE PREPARATION FOR Ø 1.125 CYLINDER PROVIDED BY OTHERS (OR BY LARSENS)
- q MASONRY ANCHORS ATTACHED



A CUT-THRU SECTION  
A NOT TO SCALE

### LARSEN'S MANUFACTURING CO.

7421 COMMERCE LANE  
MINNEAPOLIS, MN 55432  
PHONE: 800-527-7367  
FAX: 763-571-6900  
[www.larsensmfg.com](http://www.larsensmfg.com)

PROJECT:

CONTRACTOR:

ARCHITECT:

DRAWN BY:

**CMR**

DATE:

**9-1-01**

QUANTITY:

TITLE:

**L-MPSS.DOC**



**L-MPSS— ALL PURPOSE NON-RATED ACCESS PANEL**

***L-MSS Standard Features:***

Door: 14 gauge (1.90 mm thick ) #304 stainless steel with #4 satin finish  
 Frame: 16 gauge (1.52 mm thick) #304 stainless steel with 1" flange & #4 finish  
 Hinge: Stainless steel continuous piano hinge  
 Latch: Screwdriver operated cam latch(es)  
 Optional: key operated cylinder lock, pinned allen head security cam latch(es), mortise cylinder preparation (cylinder provided by Larsens or others)  
 Finish: #304 stainless steel with #4 satin finish

***L-MSS Specifications:***

Model *L-MPSS* for non-rated all purpose applications. Access panel shall be model *L-MPSS*, size \_\_\_\_\_ as manufactured by **Larsens Mfg.** of Minneapolis, MN.

Frame shall be 16 gauge and door shall be 14 gauge #304 stainless steel. Flange shall be 1" wide. Hinge shall be stainless steel, continuous piano type. Latch(es) shall be a screwdriver operated cam type (optional: key operated cylinder lock, pinned allen head security cam latch, or preparation to receive 1-1/8" mortise cylinder — cylinder provided by Larsens or others). Finish shall be #4 satin finish.

Installation shall be in accordance with manufacturer's instructions. Manufacturer shall guarantee against defects in material and workmanship for a period of one year.

***L-MSS Standard Sizes:***

<i>Std sizes (in)</i>	<i>Std Sizes (mm)</i>	<i>Weight/Latches</i>	<i>Std Sizes (in)</i>	<i>Std Sizes (mm)</i>	<i>Weight/Latches</i>
<b>06x06</b>	152x152	3/1	<b>20x30</b>	508x762	19/5
<b>08x08</b>	203x203	4/1	<b>22x22</b>	559x559	19/4
<b>10x10</b>	254x254	5/1	<b>22x30</b>	559x762	22/5
<b>12x12</b>	305x305	7/1	<b>24x24</b>	610x610	20/4
<b>12x18</b>	305x457	10/1	<b>24x30</b>	610x762	24/5
<b>12x24</b>	305x610	12/1	<b>24x36</b>	610x914	28/5
<b>14x14</b>	356x356	8/1	<b>24x48*</b>	610x1219	33/6
<b>16x16</b>	406x406	11/1	<b>30x30</b>	762x762	26/5
<b>16x20</b>	406x508	12/2	<b>32x32</b>	813x813	29/5
<b>18x18</b>	457x457	12/2	<b>36x36*</b>	914x914	36/5
<b>18x24</b>	457x610	18/3	<b>36x48*</b>	914x1219	52/7

*\*Denotes non-removable continuous piano hinge — standard on all stainless steel panels.  
 All units are hinged on the second dimension (height). Rough opening is door size plus ¼".*

**Larsens Manufacturing Company** 7421 Commerce Lane Minneapolis, MN 55432  
 Ph: 800-527-7367 Fax: 763-571-6900  
 Web : [www.larsensmfg.com](http://www.larsensmfg.com)